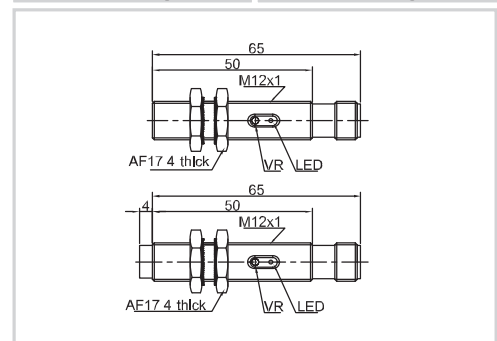
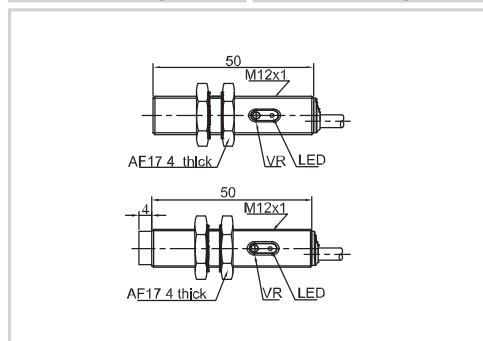


Item Code	CR12		CR12	
Mounting	● Flushed	◐ Non-flushed	● Flushed	◐ Non-flushed
Sensing distance	2mm	4mm	2mm	4mm



Output	NPN NO	CR12CF02DNO	CR12CN04DNO	CR12CF02DNO-E2	CR12CN04DNO-E2
	NPN NC	CR12CF02DNC	CR12CN04DNC	CR12CF02DNC-E2	CR12CN04DNC-E2
Output	PNP NO	CR12CF02DPO	CR12CN04DPO	CR12CF02DPO-E2	CR12CN04DPO-E2
	PNP NC	CR12CF02DPC	CR12CN04DPC	CR12CF02DPC-E2	CR12CN04DPC-E2

Technical Parameter				
Supply voltage	10...30 VDC	10...30 VDC	10...30 VDC	10...30 VDC
Temperature drift	< ±10%	< ±10%	< ±10%	< ±10%
Load current	<200mA	<200mA	<200mA	<200mA
Voltage drop	<2.5V	<2.5V	<2.5V	<2.5V
Consumption current	<15mA	<15mA	<15mA	<15mA
Hysteresis	3...20%	3...20%	3...20%	3...20%
Repeat accuracy	<3%	<3%	<3%	<3%
Frequency	50Hz	50Hz	50Hz	50Hz
Output indicator	Yellow LED	Yellow LED	Yellow LED	Yellow LED
Polarity protection	yes	yes	yes	yes
Surge protection	yes	yes	yes	yes
Short-circuit protection	yes	yes	yes	yes
Ambient temperature	-25...+70°C	-25...+70°C	-25...+70°C	-25...+70°C
Ambient moisture	35...95%	35...95%	35...95%	35...95%
Protection degree	IP67	IP67	IP67	IP67
Housing material	Nickel-copper Alloy	Nickel-copper Alloy	Nickel-copper Alloy	Nickel-copper Alloy
Connection	2m PVC Cable	2m PVC Cable	M12 Connector	M12 Connector
Certification	CE U _L	CE U _L	CE U _L	CE U _L



X-ON Electronics

Largest Supplier of Electrical and Electronic Components

Click to view similar products for [Capacitive Touch Sensors](#) category:

Click to view products by [Lanbao](#) manufacturer:

Other Similar products are found below :

[CP8186AT](#) [LC717A10AJ-AH](#) [CP7709DT](#) [AT42QT1012-MAH](#) [FK 8-1](#) [SMBTASK3KIT6](#) [LC717A10AR-NH](#) [MCP2036T-I/MG](#) [CP3155T](#)
[QT113BISG](#) [CAP1166-1-CZC-TR](#) [CM12-08EBP-KW1](#) [CR12CN04DPO-E2](#) [CR30SCF10ATO](#) [CR30SCF10DPO](#) [BCS M30BBI2-PSC15D-](#)
[S04K](#) [CA30CAF16PAM1](#) [VC12RN230](#) [XT130B1FBL2](#) [FDC1004DGSR](#) [FDC1004DGST](#) [CR18SCF05DPO](#) [CR30CN15DPO-E2](#)
[VC12RT23010M](#) [CDWM3020ZPM](#) [17-8421-226](#) [VC12RN924](#) [AT42QT1050-MMH](#) [AT42QT1050-MMHR](#) [AT42QT1110-AU](#)
[AT42QT1244-AU](#) [AT42QT1244-AU](#) [AT42QT1481-AUR](#) [OTBA5L](#) [OTBVR81LQD](#) [PBCL22T](#) [SM31RDLBQD](#) [AT42QT1111-MU](#)
[AT42QT1244-MU](#) [AT42QT2100-MUR](#) [AT42QT2120-MMHR](#) [VTBN6LQ](#) [MTCH6102-IMV](#) [CAP1128-1-BP-TR](#) [CA30CAF16PA](#)
[STMPE16M31QTR](#) [STMPE16M31PXQTR](#) [STM8T143-EVAL](#) [XT230A1PAL2](#) [LC717A00AR-NH](#)